

The background of the image is a grayscale, semi-transparent photograph of a complex mechanical assembly. It features several interlocking gears of various sizes, with a prominent large gear in the upper center and another in the lower right. A cylindrical component, likely a pneumatic cylinder, is visible in the upper left. The overall aesthetic is industrial and technical.

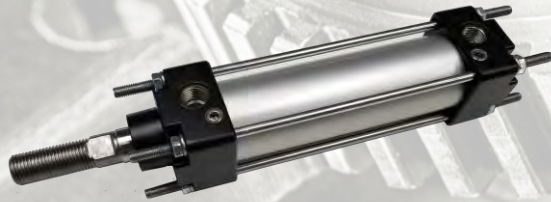
Dynamax® Pneumatics



**Cnomo
NFE 49001 Cylinders**

144 Kay Drive Easley, SC 29640

Dynamax® Cnomo NFE 49001 Cylinders



End Caps	<i>Diecast Aluminum</i>
Tube	<i>Anodized Aluminum</i>
Tie Rods	<i>Zinc Coated or Stainless Steel</i>
Seals	<i>Polyurethane</i>
Piston Rod	<i>Chromium Coated Steel</i>

Working Pressure	<i>1 to 10 bar</i>
Temperature	<i>5°C to 80°C with dry air</i>
Working Fluid	<i>Filtered compressed air, lubricated or not</i>

Available Versions

Double Acting, Magnetic, Cushioned
 Double Acting, Magnetic, Cushioned, Through Piston Rod

Standard Strokes

Ø mm	25	50	75	100	150	200	250	300
25	•	•	•	•	•	•	•	
32	•	•	•	•	•	•	•	
40	•	•	•	•	•	•	•	•
50	•	•	•	•	•	•	•	•
63	•	•	•	•	•	•	•	•
80		•	•	•	•	•	•	•
100			•	•	•	•	•	•

Non-Standard Strokes are readily available

Dynamax® Cnomo NFE 49001 Cylinders

How to Order Base Models

PXA 050 A 0 2 M 0100 B A C TM200 1 2

Series

PXA – Cnomo NFE 49001 Cylinder

Bore

- 025 – 25 mm 080 – 80 mm
- 032 – 32 mm 100 – 100 mm
- 040 – 40 mm 125 – 125 mm
- 050 – 50 mm 160 – 160 mm
- 063 – 63 mm 200 – 200 mm

Cushioning

A – Adjustable Cushioning Standard

Range

- 0 – Single Rod
- 2 – Through Rod
- 6 – Back To Back

Magnet

- 1 – Non-Magnetic Piston
- 2 – Magnetic Piston Standard

Piston Rod Ends

M – Male

Stroke

- 025 – 25 mm
- 050 – 50 mm
- 075 – 75 mm
- 100 – 100 mm
- 150 – 150 mm
- 200 – 200 mm
- 250 – 250 mm
- 300 – 300 mm

Piston Rod Material

B – Chrome Plated Steel

Tie Rod Material

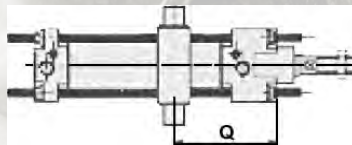
A – Black Oxide Coated

Body Material

C – Aluminum

Side Trunnion

- Blank – No Trunnion
- TM*** – *** = "Q" Dimension (please specify)

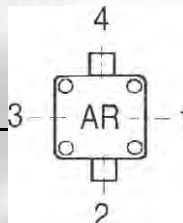


Port Position - Head

- 1 – Position 1
- 2 – Position 2
- 3 – Position 3
- 4 – Position 4

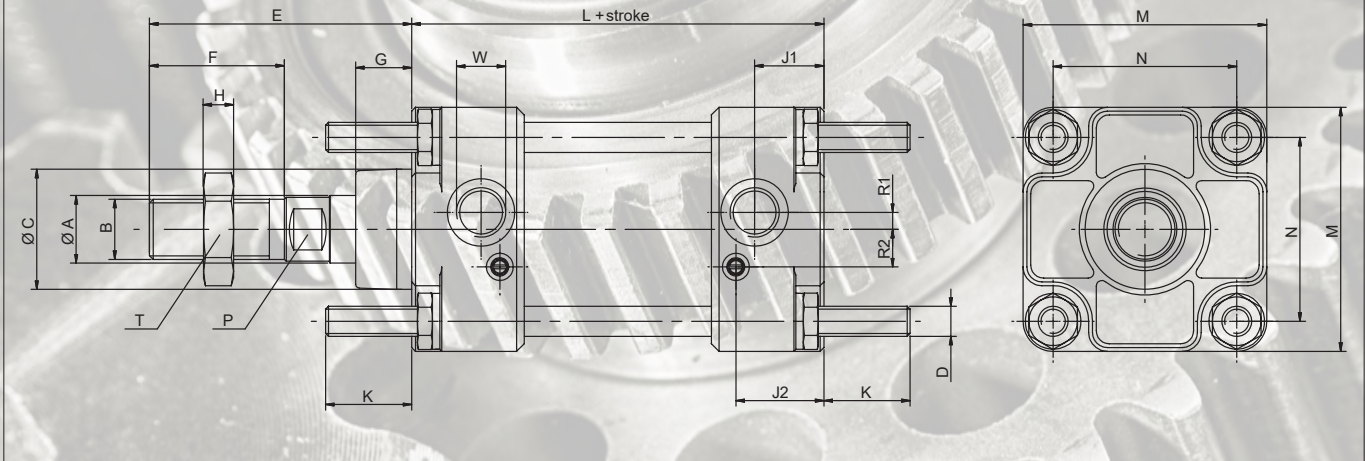
Port Position - Cap

- 1 – Position 1
- 2 – Position 2
- 3 – Position 3
- 4 – Position 4



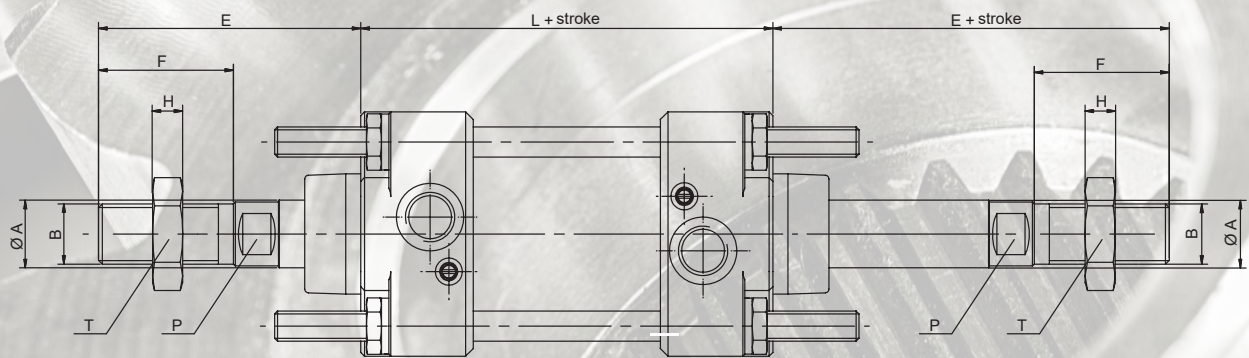
Dynamax® Cnomo NFE 49001 Cylinders

Type: PXA-A02M



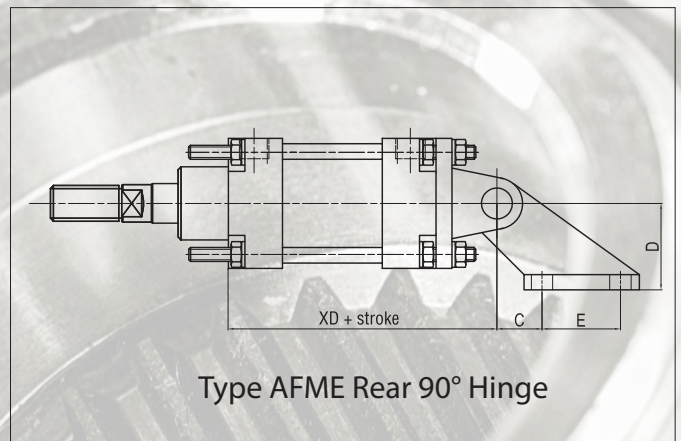
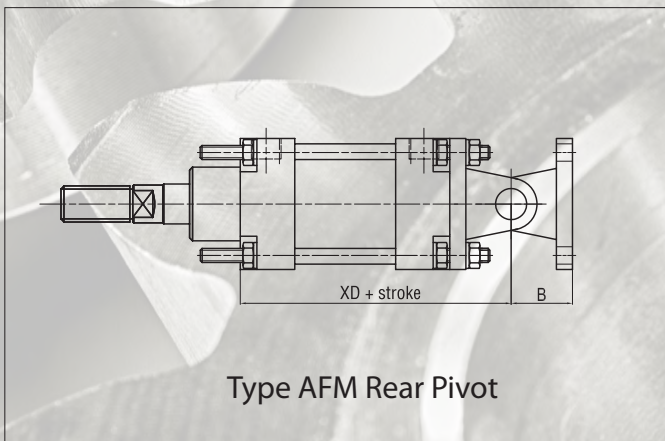
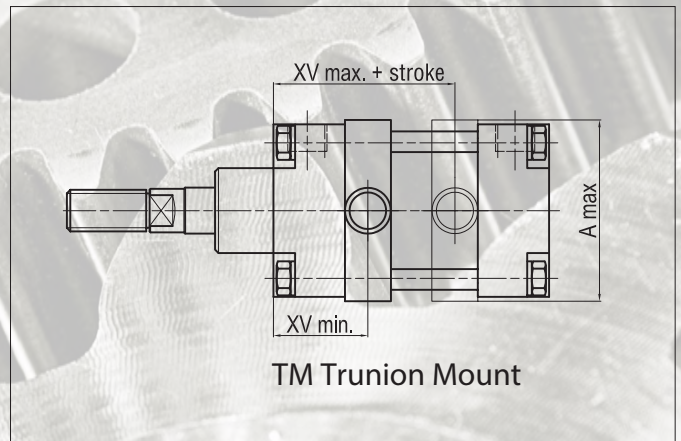
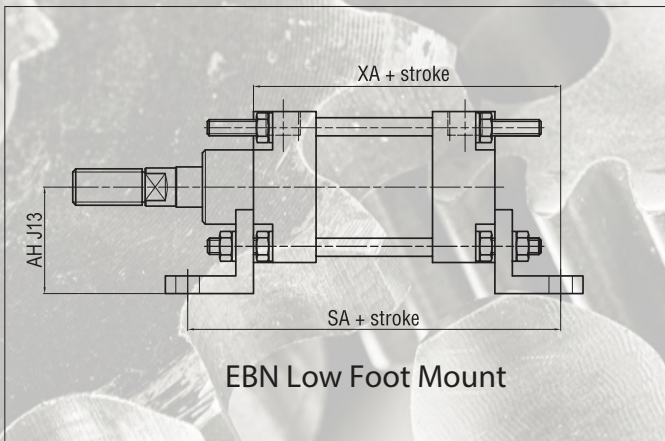
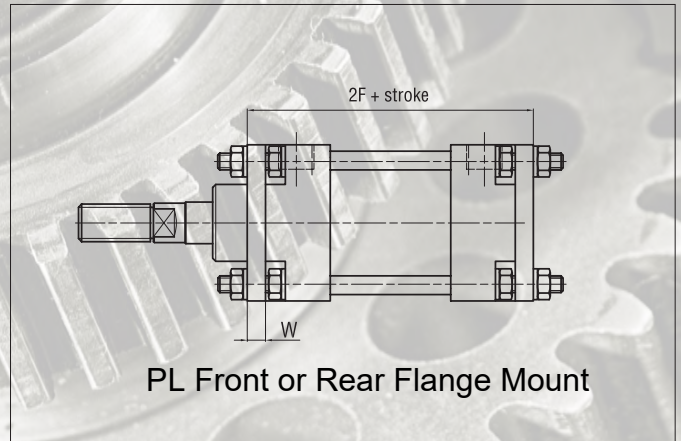
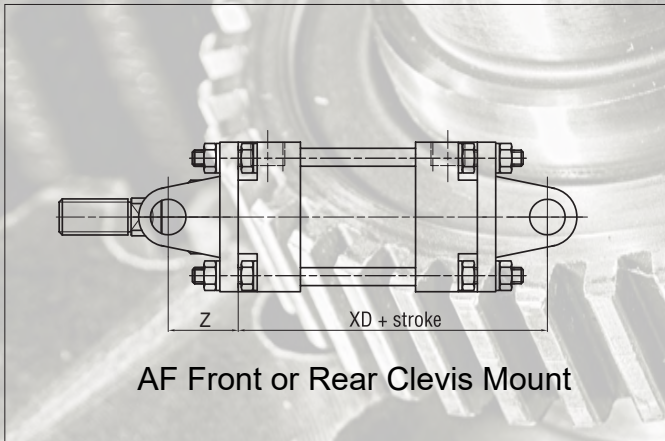
Ø (mm)	Ø A f7	B	Ø C e9	E	F	G	L ± 1	P	T	H	D	K	W	M	N	J1	J2	R1	R2
25	12	M10x1,5	25	45	20	15	80	8	17	6	M6	17	1/8"	40	28	7	11	0.75	7,5
32	12	M10x1,5	25	45	20	15	80	8	17	6	M6	17	1/8"	45	33	15	16,5	6	8
40	18	M16x1,5	32	70	36	15	110	13	24	8	M6	17	1/4"	52	40	17,5	23	3	11
50	18	M16x1,5	32	70	36	15	110	13	24	8	M8	23	1/4"	65	49	18,5	23,5	4,5	10
63	22	M20x1,5	45	85	46	20	125	17	30	9	M8	23	3/8"	75	59	19	23	4,5	14
80	22	M20x1,5	45	85	46	20	125	17	30	9	M10	28	3/8"	95	75	22	25	8	13
100	30	M27x2	55	110	63	20	145	22	41	12	M10	28	1/2"	115	90	26	31	12	10
125	30	M27x2	55	110	63	20	145	22	41	12	M12	34	1/2"	140	110	-	-	-	-
160	40	M36x2	65	135	85	25	180	32	54	14	M16	42	3/4"	180	140	-	-	-	-
200	40	M36x2	65	135	85	25	180	32	54	14	M16	42	3/4"	220	175	-	-	-	-

Type: PXA-A22M



Ø (mm)	Ø A f7	B	E	F	L ± 1	P	T	H
25	12	M10x1,5	45	20	90	8	17	6
32	12	M10x1,5	45	20	90	8	17	6
40	18	M16x1,5	70	36	129	13	24	8
50	18	M16x1,5	70	36	129	13	24	8
63	22	M20x1,5	85	46	143	17	30	9
80	22	M20x1,5	85	46	143	17	30	9
100	30	M27x2	110	63	164	22	41	12
125	30	M27x2	110	63	164	22	41	12
160	40	M36x2	135	85	200	32	54	14
200	40	M36x2	135	85	200	32	54	14

Dynamax® Cnomo NFE 49001 Cylinders



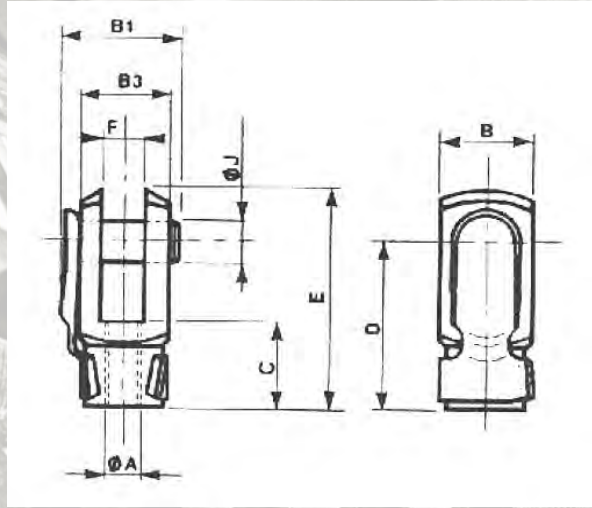
For dimensions and codes of the accessories see page 1.99.1.

Ø mm	A max	AH	B	C	D	E	SA	W	XA	XD	XV min	XV max	2F	Z
32	46	32	18	18	32	20	134	8	107	98	32,5	47,5	96	18
40	58	36	26	25	45	32	164	8	137	134	41	69	126	24
50	68	45	26	25	45	32	180	10	145	138	45	65	130	26
63	84	45	34	32	63	50	195	10	160	155	52,5	72,5	145	35
80	102	63	34	32	63	50	211	12	168	157	52,5	72,5	149	32
100	124	73	41	40	90	70	231	12	188	182	57	88	169	34
125	152	91	41	40	90	70	249	15	197	186	58	87	175	41
160	190	115	55	50	140	110	304	20	242	235	67	113	220	55
200	250	135	55	50	140	110	304	20	242	235	68	112	220	55

Dynamax® Cnomo NFE 49001 Cylinders

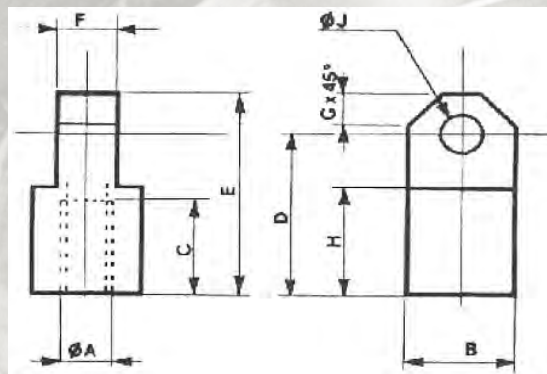
Mounting Accessories for Cnomo Cylinders

Female Rod Clevis



ømm	øA	B	B1	B3	C	D	E	F	J	Part Number
25	M10x1.5	22	28	22	20	36	45	11	8	FE10x150
32	M10x1.5	22	28	22	20	36	45	11	8	FE10x150
40	M16x1.5	26	44	36	26	51	64	18	12	FE16x150
50	M16x1.5	26	44	36	26	51	64	18	12	FE16x150
63	M20x1.5	34	53	45	30	63	80	22	16	FE20x150
80	M20x1.5	34	53	45	30	63	80	22	16	FE20x150
100	M27x2.0	42	73	63	45	85	105	30	20	FE27x200
125	M27x2.0	42	73	63	45	85	105	30	20	FE27x200
160	M36x2.0	50	95	80	75	115	140	40	25	FE36x200
200	M36x2.0	50	95	80	75	115	140	40	25	FE36x200

Male Rod Clevis

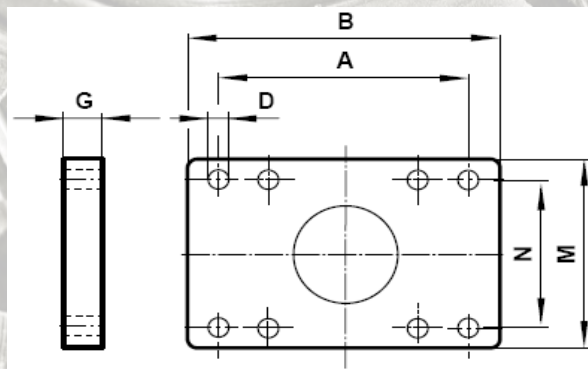


ømm	øA	B	C	D	E	F	G	H	J	Part Number
25	M10x1.5	22	20	36	45	11	6	25	8	MA10x150
32	M10x1.5	22	20	36	45	11	6	25	8	MA10x150
40	M16x1.5	26	26	51	64	18	10	34	12	MA16x150
50	M16x1.5	26	26	51	64	18	10	34	12	MA16x150
63	M20x1.5	34	30	63	80	22	12	41	16	MA20x150
80	M20x1.5	34	30	63	80	22	12	41	16	MA20x150
100	M27x2.0	42	45	85	105	30	17.5	58	20	MA27x200
125	M27x2.0	42	45	85	105	30	17.5	58	20	MA27x200
160	M36x2.0	50	75	115	140	40	20	81	25	MA36x200
200	M36x2.0	50	75	115	140	40	20	81	25	MA36x200

Dynamax® Cnomo NFE 49001 Cylinders

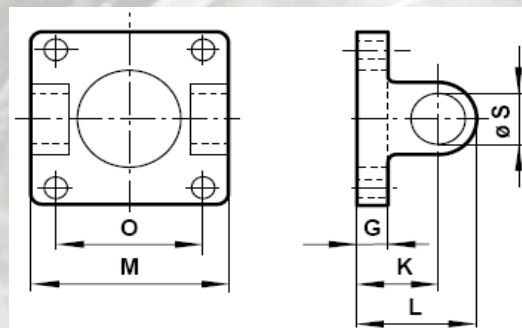
Mounting Accessories for Cnomo Cylinders

Front or Rear Flange



ømm	A	B	øD	G	M	N	Part Number
25	68	80	9	8	45	33	PL-025
32	68	80	9	8	45	33	PL-032
40	78	90	9	8	52	40	PL-040
50	94	110	11	10	65	49	PL-050
63	104	120	11	10	75	59	PL-063
80	130	150	14	12	95	75	PL-080
100	150	170	14	12	115	90	PL-100
125	180	205	18	16	140	110	PL-125
160	228	260	22	20	180	140	PL-160
200	268	300	22	20	220	175	PL-200

Front or Rear Clevis

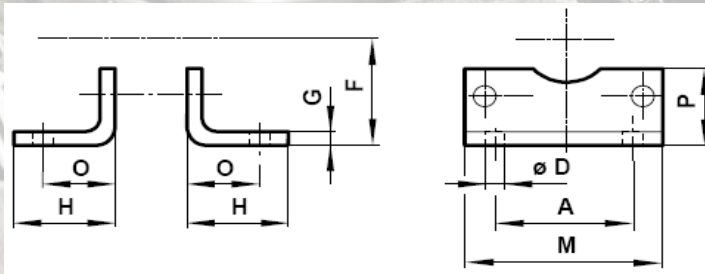


ømm	G	K	L	M	O	øS	Part Number
25	8	18	26	45	26	8	AF-025
32	8	18	26	45	26	8	AF-032
40	8	24	36	52	33	12	AF-040
50	10	26	38	65	33	12	AF-050
63	10	30	46	75	47	16	AF-063
80	12	32	48	95	47	16	AF-080
100	12	37	57	115	57	20	AF-100
125	16	41	61	140	57	20	AF-125
160	20	55	80	180	72	25	AF-160
200	20	55	80	220	72	25	AF-200

Dynamax® Cnomo NFE 49001 Cylinders

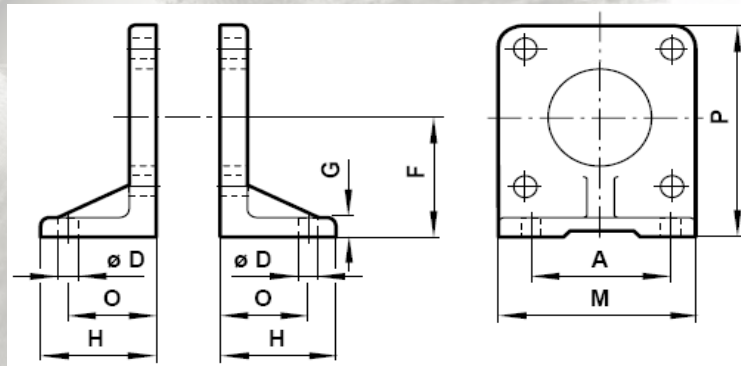
Mounting Accessories for Cnomo Cylinders

Foot - Low



ømm	A	øD	F	G	H	M	O	P	Part Number
25	28	9	32	4	37	45	27	29	EBN-025
32	28	9	32	4	37	45	27	29	EBN-032
40	36	9	36	4	37	52	27	32	EBN-040
50	45	11	45	6	45	65	35	36	EBN-050
63	55	11	50	6	45	75	35	37	EBN-063
80	70	14	63	8	57	95	43	46	EBN-080
100	90	14	73	8	58	115	43	52	EBN-100
125	100	18	91	8	71	140	52	67	EBN-125
160	130	22	115	10	83	180	62	74	EBN-160
200	170	22	135	10	83	220	62	78	EBN-200

Foot - High

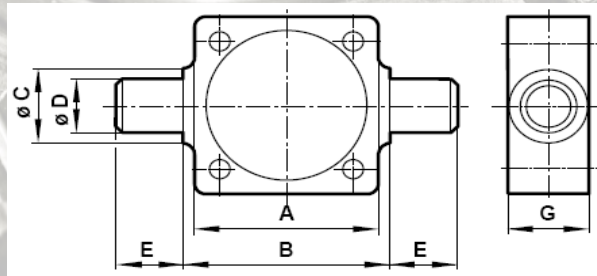


ømm	A	øD	F	G	H	M	O	P	Part Number
25	28	9	32	9	36	47	27	55.5	EN-025
32	28	9	32	9	36	47	27	55.5	EN-032
40	36	9	36	9	36	52	27	62	EN-040
50	45	11	45	10	45	65	35	77	EN-050
63	55	11	50	10	45	75	35	87	EN-063
80	70	14	53	12	55	95	43	110	EN-080
100	90	14	73	12	55	115	43	130	EN-100
125	100	18	91	16	68	140	52	161	EN-125
160	130	22	115	20	80	180	62	205	EN-160
200	170	22	135	20	80	220	62	245	EN-200

Dynamax® Cnomo NFE 49001 Cylinders

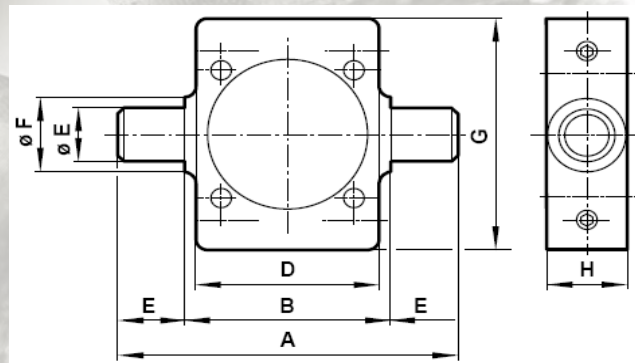
Mounting Accessories for Cnomo Cylinders

Trunnion



ømm	A	B	C	D	E	G	Part Number
25	46	50	20	12	12	22	TM-025
32	46	50	20	12	12	22	TM-032
40	58	63	25	16	16	30	TM-040
50	68	73	25	16	16	30	TM-050
63	84	90	30	20	20	35	TM-063
80	102	108	30	20	20	35	TM-080
100	124	121	36	25	25	40	TM-100
125	152	159	36	25	25	40	TM-125
160	190	198	45	32	32	50	TM-160
200	240	284	45	32	32	50	TM-200

Adjustable Trunnion

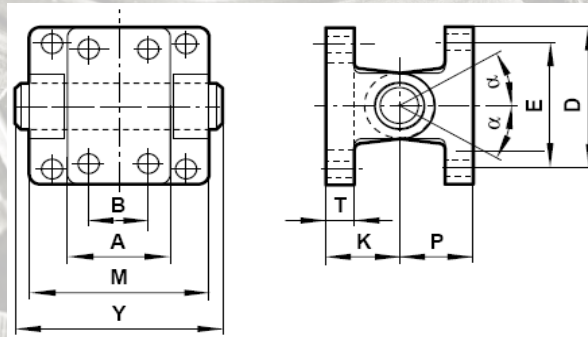


ømm	A	B	C	D	E	F	G	H	Part Number
25	74	50	12	46	12	20	60	22	TMA-025
32	74	50	12	46	12	20	60	22	TMA-032
40	95	63	16	68	16	25	68	30	TMA-040
50	105	73	16	68	16	25	82	30	TMA-050
63	130	90	20	84	20	30	95	35	TMA-063
80	148	108	20	102	20	30	115	35	TMA-080

Dynamax® Cnomo NFE 49001 Cylinders

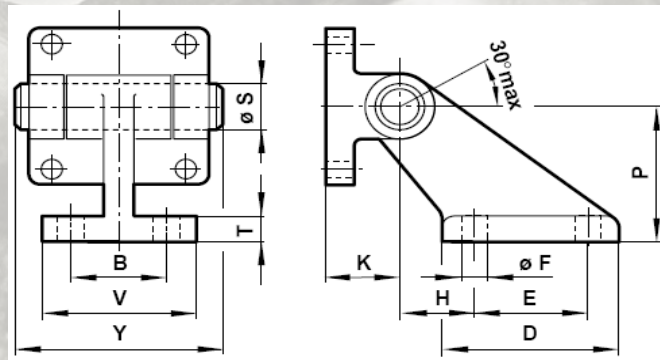
Mounting Accessories for Cnomo Cylinders

Rear Straight Hinge



ømm	A	B	D	E	øF	K	M	P	øS	T	Y	A	Part Number
25	25		40	28	7	18	45	18	8	8	52	30°	AFM-025
32	25		40	28	7	18	45	18	8	8	52	30°	AFM-032
40	32	16	52	38	9	24	52	26	12	10	60	25°	AFM-040
50	32	16	52	38	9	26	65	26	12	10	72.5	30°	AFM-050
63	46	25	75	54	11	30	75	34	16	12	84.4	30°	AFM-063
80	46	25	75	54	11	32	95	34	16	12	105	30°	AFM-080
100	56	32	115	90	14	37	115	41	20	16	125	30°	AFM-100
125	56	32	115	90	14	41	140	41	20	16	150	30°	AFM-125
160	71	43	180	150	18	55	180	55	25	20	190	30°	AFM-160
200	71	43	180	150	18	55	220	55	25	20	230	30°	AFM-200

Rear Hinge

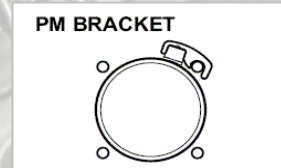
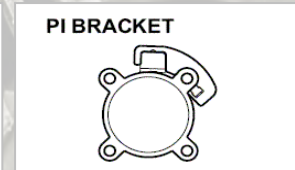


ømm	B	D	E	F	H	K	P	S	T	V	Y	Part Number
25	25	37	20	7	18	18	32	8	8	41	52	AFME-025
32	25	37	20	7	18	18	32	8	8	41	52	AFME-032
40	32	54	32	9	25	24	45	12	10	52	60	AFME-040
50	32	54	32	9	25	26	45	12	10	52	72.5	AFME-050
63	40	75	50	11	32	30	63	16	12	63	54.5	AFME-063
80	40	75	50	11	32	32	63	16	12	63	105	AFME-080
100	50	103	70	14	40	37	90	20	16	80	125	AFME-100
125	50	103	70	14	40	41	90	20	16	80	150	AFME-125
160	63	154	110	18	50	55	140	25	20	103	190	AFME-160
200	63	154	110	18	50	55	140	25	20	103	230	AFME-200

Dynamax® Cnomo NFE 49001 Cylinders

Position Sensing for Cnomo Cylinders

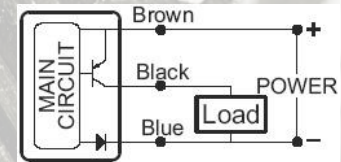
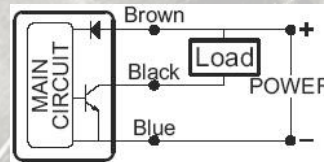
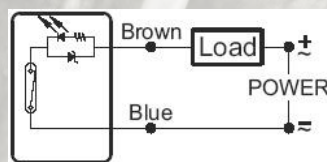
UL-21 Series



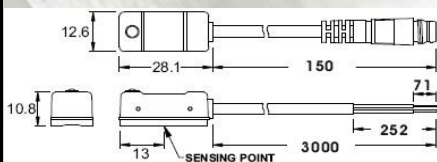
Specifications

CHARACTERISTIC/TYPE	UL-21R	UL-21N	UL-21P
Switching Logic	SPST Normally Open	Solid State Output, Normally Open	
Sensor Type	Reed Switch	NPN Current Sinking	PNP Current Sourcing
Operating Voltage (Note 1)	5 ~ 240V DC/AC	5 ~ 28V DC	
Switching Current	100 mA max.	200 mA max.	
Switching Rating	10 W max.	6 W max.	
Current Consumption		15 mA max. @ 24V (Switch Active)	16 mA max. @ 24V (Switch Active)
Voltage Drop	2.5 V max. @ 40mA DC	1.5 V max. @ 200 mA (Resistive Load)	
Leakage Current		0.01 mA max.	
Indicator	Red LED	Red LED	Green LED
Cable	4.0 §, 2C, OIL RESISTANT PVC	4.0 §, 3C, OIL RESISTANT PVC	
Sensitivity (Note 2)	70 Gauss	60 Gauss	
Max. Switching Frequency	200 Hz	1000 Hz	
Temperature Range		-10 ~ 70	
Shock (Note 3)	30 G	50 G	
Vibration (Note 4)		9G	
Enclosure Classification	IP 67 (NEMA 6)		
Protection Circuit		Power Source Reverse Polarity; Surge Suppression; O/P Short Circuit Protect	

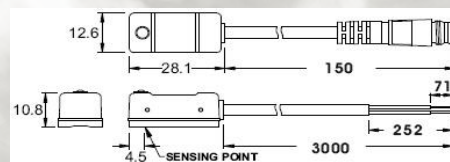
Wiring Diagram



UL-21R-03
UL-21R-QC8



UL-21N(P)-03
UL-21N(P)-QC8



M8 Quick Connector (IEC61076-2-101)




- NOTE: 1. The max. Operating voltage of UL-21R-QC8 is 60V AC/DC (based on IEC61076-2-101).
 2. Measuring standard target: 15.5 * 8 * 5t (Anisotropic Rubber Magnet).
 3. Sin Wave /X - -Y- -Z 3 Directions / 3 Times Each Direction/ 11mS Each Time
 4. Double Amplitude 1.5mm / 10Hz ~55Hz~10Hz (Sweep 1 min) /X - -Y- -Z 3 Directions / 1 Hour each Time

Dynamax® Cnomo NFE 49001 Cylinders

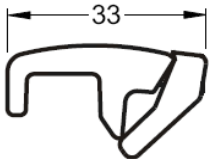
Mounting Brackets for Cnomo Cylinders

PAC BRACKET

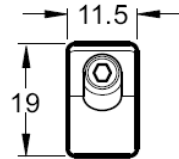


PAC


MATERIAL: ZINC DIE-CAST



33




11.5
19




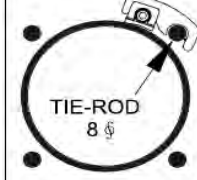

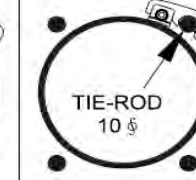

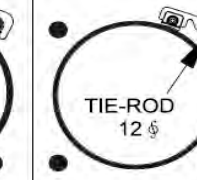

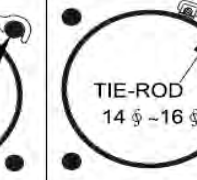


TIE-ROD BORE


APPLY TO 32 ¢ TO 125 ¢ TIE-ROD CYLINDER (BORE SIZE FROM 5 ¢ TO 12 ¢)

PM BRACKET




PM - 6	PM - 8	PM - 10	PM - 12	PM - 16
  TIE-ROD 5 ¢ ~ 6 ¢	  TIE-ROD 8 ¢	  TIE-ROD 10 ¢	  TIE-ROD 12 ¢	  TIE-ROD 14 ¢ ~ 16 ¢

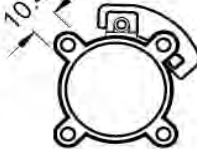
PI BRACKET



PI-1




11.15




10.4

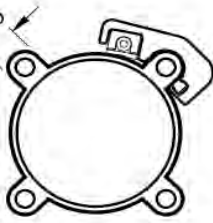
Apply to 32 ¢ to 40 ¢



PI-2




14.1




13.5

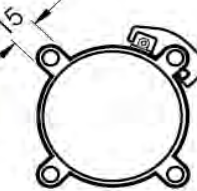
Apply to 50 ¢ to 63 ¢



PI-3




15.45

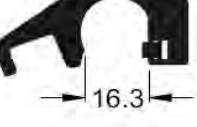


15


Apply to 80 ¢



PI-4



16.3



16

Apply to 100 ¢